

Setting Up a Photo Beam Sensor

If you don't want the driver to have to press the call button when they arrive, then you can connect a photo beam or motion sensor to an input on the outdoor callbox. When this feature is set up properly, it will trigger a call to the inside phone where it can be answered.

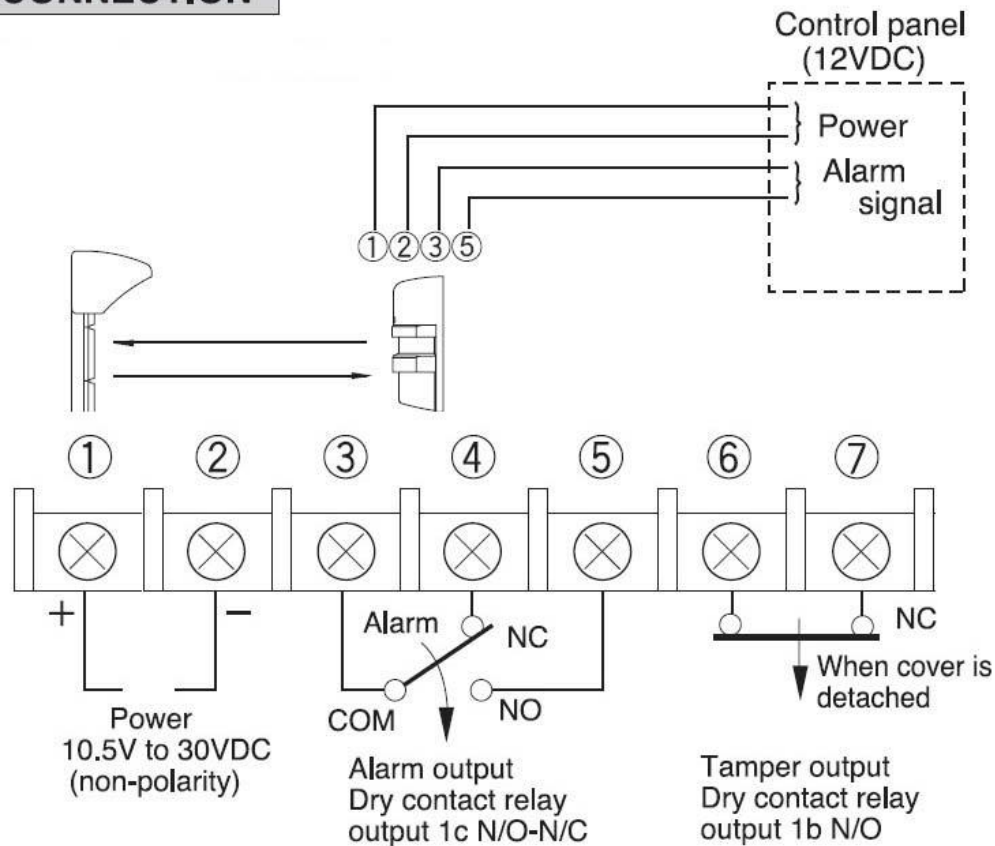
Hardware Connection

Connect your motion or photo beam sensor to the Ground and Pin 1 as shown in diagram below. You will be using I/O 1 for your photo or motion sensor.



The wires on the TCIS-2 Input port go to the optical sensor pins 3 and 5 Normally Open contacts shown in the following diagram for the TAKEX PR-11BE sensor.

CONNECTION



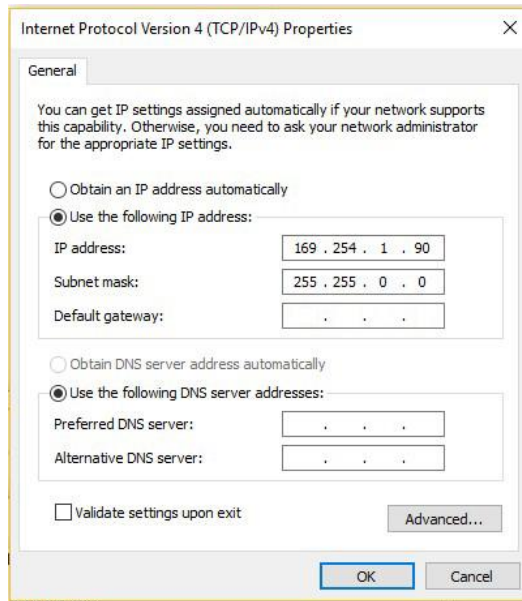
Software Setup

All of these settings should already be set as below, but if for some reason the system doesn't work and you are sure it isn't the hardware, check the settings below.

Set a Static IP Address on Your Windows 10 Computer

To access the web interface of the TCIS-2, your computer must be in the same subnet range as the station. There is a video about this on the config file download site you were just on.

1. Click **Start**, and type **Control** in the search field, then select **Control Panel**.
2. Click on **Network and Internet**.
3. Click on **Network and Sharing Center**.
4. On the left pane, click the **Change adapter settings** link.
5. Right-click on your computer's Ethernet network adapter and select **Properties**.
6. Select the **Internet Protocol Version 4 (TCP/IPv4)** option.
7. Click the **Properties** button.
8. Select the **Use the following IP address** option.
9. Set the **IP address** (e.g., **169.254.1.90**).
10. Set the **Subnet mask**. (e.g., **255.255.0.0**).
11. Click **OK**.
12. Click **Close** again to close the network adapter properties.



Putting the Unit in Advanced Programming Mode

1. Enter the IP address of the outdoor intercom (169.254.1.100) into your web browser and under **Main > Recovery** click on Advanced configuration mode and type in the password 1851
2. Put a checkmark in the box and click **Save**.
3. This will add a new tab called “Edge Configuration” to your Edge Controller where you will set up in Input/Output port to Input (it should already default to this).

Setting Port Actions

Now you need to set up the actions of the I/O 1 port which you will do in the SIP Configuration in your admin browser.

1. Click on the Edge Configuration in your admin browser.
2. Click on I/O
3. Make sure I/O Pin 1 is set to Input 1

Main
Edge Configuration
Station Administration
Edge Controller
Advanced Network

- ▶ Account / Call
- ▶ Audio
- ▶ Direct Access Keys
- ▶ Relays / Outputs
- ▶ Time
- ▼ I/O
- ▶ Frontboard Mapping
- ▶ RTSP
- ▶ Script
- ▶ Script Events
- ▶ Script Upload

I/O Settings

Description	Configuration	
Use Inputs As Key Matrix	Off	▼
Fast Blink Pattern	1110001111000111000111000	1 = on, 0 = off, 100 ms interval
Slow Blink Pattern	111111111111000000000000	1 = on, 0 = off, 100 ms interval
I/O Pin 1:	Input 1	▼
I/O Pin 2:	Input 2	▼
I/O Pin 3:	Input 3	▼
I/O Pin 4:	Input 4	▼
I/O Pin 5:	Input 5	▼
I/O Pin 6:	Input 6	▼

SAVE
REBOOT

Note: Changes requires application reboot

Setting the Ringlist

Now under Edge Configuration, go to Direct Access Key Settings (shown below) and set Input 1 to call a the phones in Ringlist 1. The Button 1 and Input 1 settings should be identical.

Main					Edge Configuration	Station Administration	Edge Controller	Advanced Network	
Account / Call					Account Settings				
Audio					Function				
Direct Access Keys					Button 1	Idle: Call To	<input type="text"/>	Ringlist 1	<input type="text"/>
Relays / Outputs						Call: Answer Call	Filter Dir. No.		<input type="checkbox"/> Answer Group Call
Time					Input 1	Idle: Call To	<input type="text"/>	Ringlist 1	<input type="text"/>
I/O						Call: Answer Call	Filter Dir. No.		<input type="checkbox"/> Answer Group Call
Frontboard Mapping					Input 2	Idle: Call To	<input type="text"/>	No Ringlist	<input type="text"/>
RTSP						Call: Do Nothing			
Script					Input 3	Idle: Call To	<input type="text"/>	No Ringlist	<input type="text"/>
Script Events						Call: Do Nothing			
Script Upload					Input 4	Idle: Call To	<input type="text"/>	No Ringlist	<input type="text"/>
Audio Messages						Call: Do Nothing			
Multicast Paging					Input 5	Idle: Call To	<input type="text"/>	No Ringlist	<input type="text"/>
Certificates						Call: Do Nothing			
					Input 6	Idle: Call To	<input type="text"/>	No Ringlist	<input type="text"/>
						Call: Do Nothing			