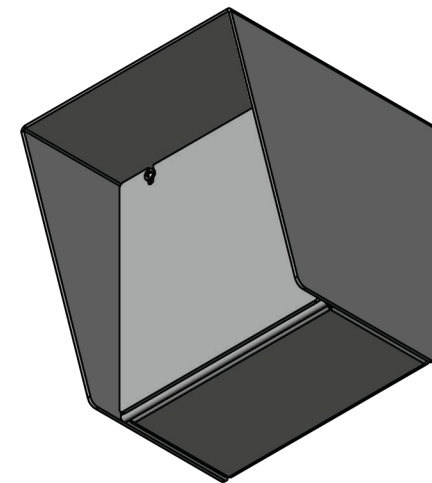


AVAILABLE CUTOUT AREA

SECTION A-A



www.intercomsonline.com

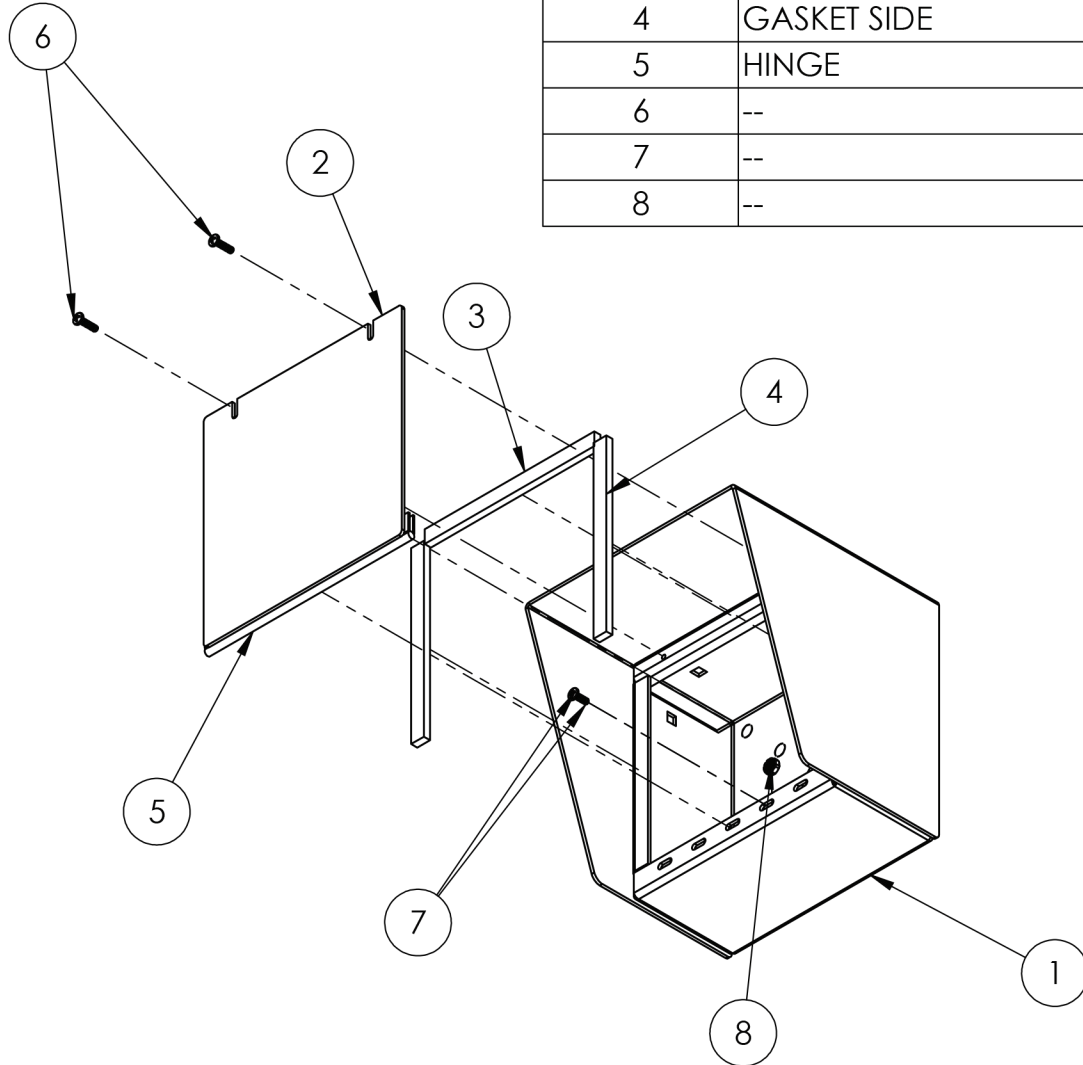
	NAME	DATE
DRAWN		
CHECKED		

TITLE:

INSTALLATION

Item Code: PD1068

ITEM NO.	PART NUMBER	DESCRIPTION	QTY.
1	MC-CS-06-E ENCLOSURE	ENCLOSURE WELDMENT	1
2	MC-CS-06-E DOOR	DOOR WELDMENT	1
3	GASKET TOP	3/8 X .150 WEATHERSTRIPPING	1
4	GASKET SIDE	3/8 X .150 WEATHERSTRIPPING	2
5	HINGE	PIANO HINGE	1
6	--	6-32 X 1/2 SS BUTTON HEAD SCREW	2
7	--	6-32 X 3/8 SS BUTTON HEAD SCREW	2
8	--	6-32 EXTERNAL TOOTH LOCK NUT	2



NOTES:

1. SEE STANDARD PREPARATION AND COATING INSTRUCTIONS FOR COATING PROCEDURE AND COLOR.
2. SEE STANDARD PACKAGING INSTRUCTIONS FOR PACKAGING PROCEDURE.

UNLESS OTHERWISE SPECIFIED:	NAME	DATE
	DRAWN	
	CHECKED	

TITLE: **ASSEMBLY**