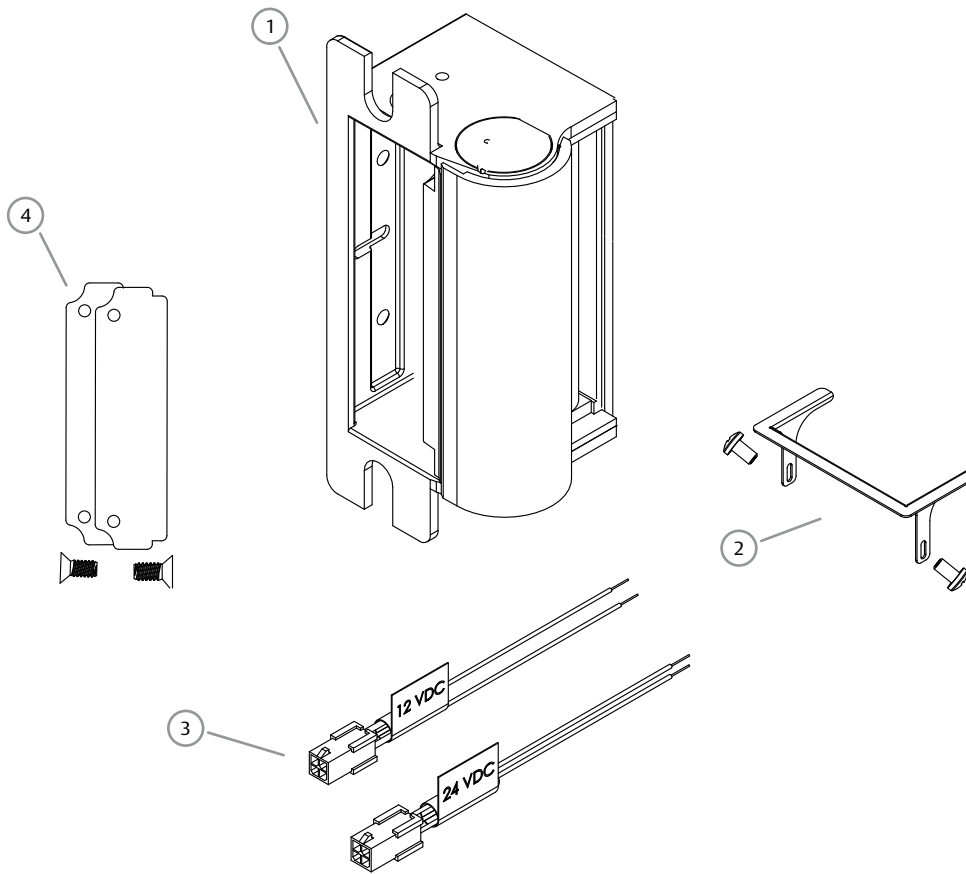


Product Components

- ① 1006 Electric Strike Body
- ② Trim Enhancer (with screws)
- ③ 12 & 24 Volt Pigtails
- ④ Keeper Shims (2, with screws)



Electrical Specifications

ELECTRICAL RATINGS FOR SOLENOID		
CONTINUOUS DUTY	12 VDC	24 VDC
Resistance in Ohms	25	100
Amps	.48	.24
Solenoids are rated at +/- 10% indicated value.		

MINIMUM WIRE GAUGE REQUIREMENTS (One Way)		
SOLENOID VOLTAGE	12 VDC	24 VDC
200 feet or less	18 gauge	18 gauge
200 - 300 feet	16 gauge	18 gauge
300 - 400 feet	14 gauge	16 gauge

Installation Directions

CAUTION! Before connecting any device at the installation site, verify input voltage using a multimeter. Many power supplies and low voltage transformers operate at higher levels than listed. Any input voltage exceeding 10% of the solenoid rating may cause severe damage to the unit and will void the warranty.

Preparing the Strike

NOTE: For 12V DC, the pigtail marked "12 VDC" should be used. For 24V DC, the pigtail marked "24 VDC" should be used.

1. SELECT the appropriate Plug In Connector that matches system power and electrically CONNECT as illustrated in Diagram 2.
2. **IF** no connector is present, **THEN CONFIGURE** the wires as illustrated in Diagram 2.
3. **IF** using the Latchbolt Monitor (LBM) or Latchbolt Strike Monitor (LBSM), **THEN REFER** to Diagrams 3 and 4 to complete wiring.

Preparing the Frame

NOTE: Cutout templates are detailed on Page 3 and faceplate options are detailed on Page 4.

4. PREPARE the frame using appropriate lockset template and faceplate combination.

Finishing the Installation

5. ATTACH the electric strike to the jamb using the screws provided with the faceplate option kit.

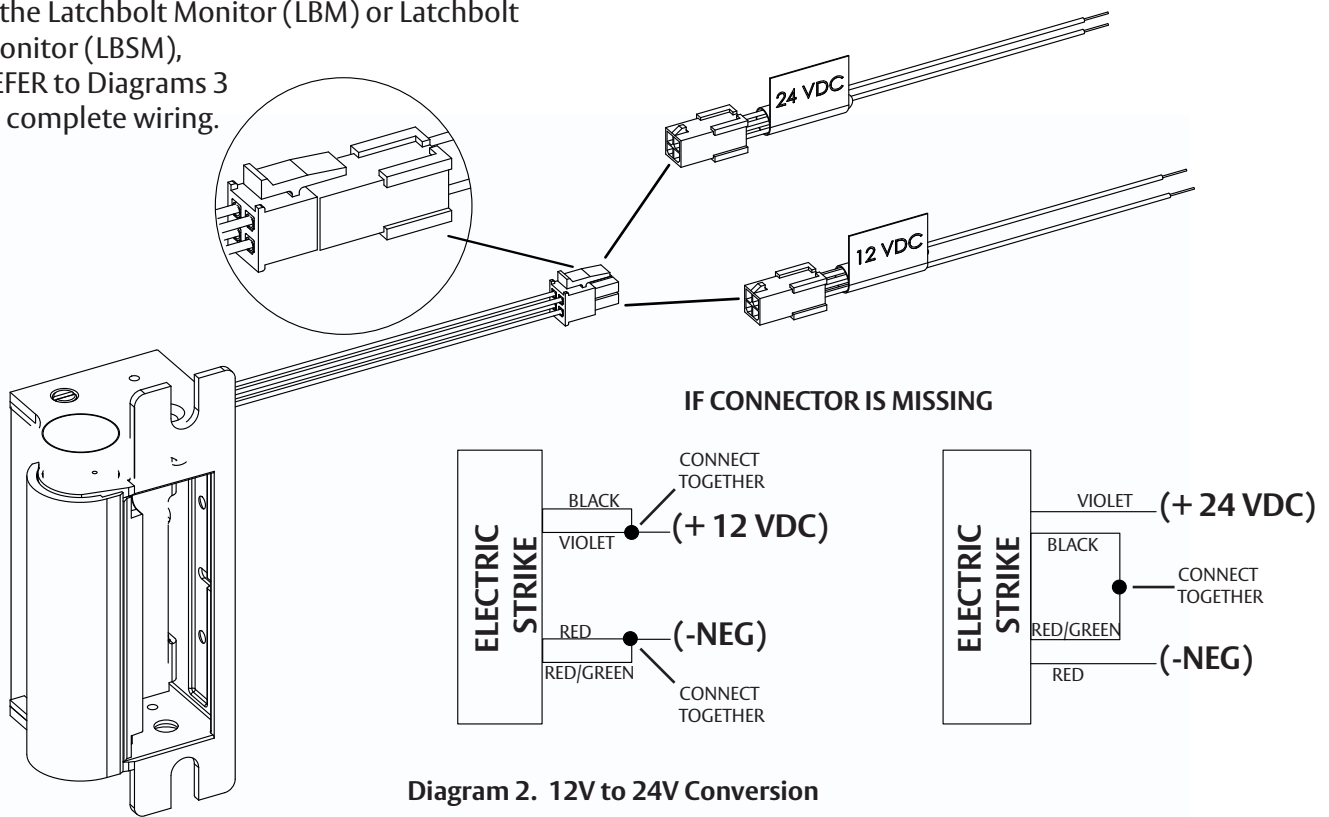


Diagram 2. 12V to 24V Conversion

LBM WIRING

White	Common
Orange	Normally Open
Green	Normally Closed

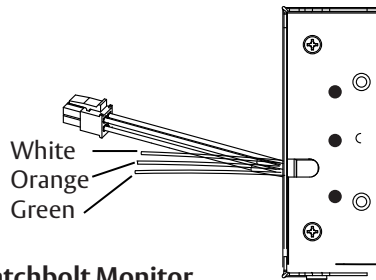


Diagram 3. Latchbolt Monitor

LBSM WIRING

Brown	Common
Blue	Normally Open
Yellow	Normally Closed

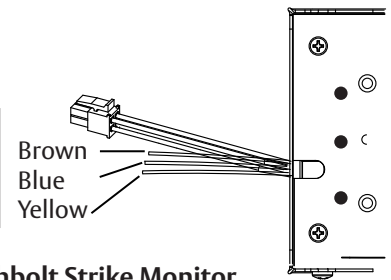


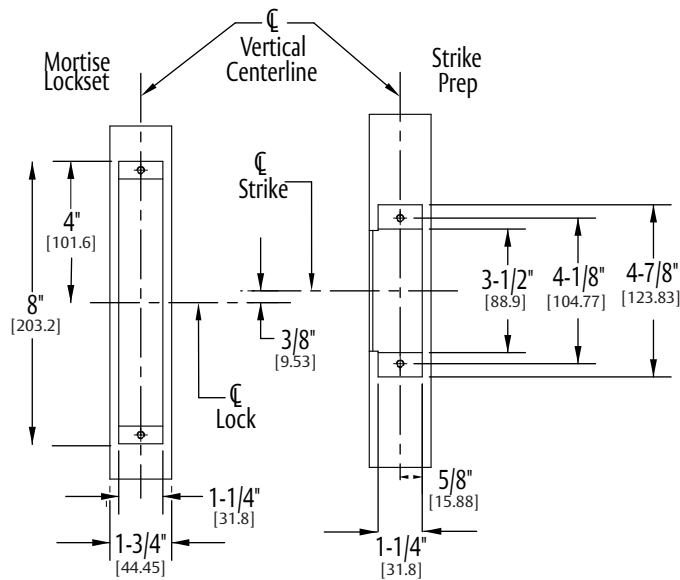
Diagram 4. Latchbolt Strike Monitor

Cutout Templates

Inches [Millimeters]

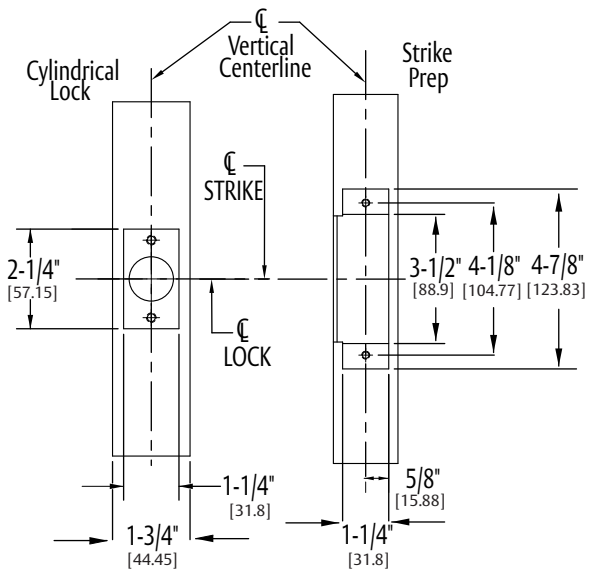
1006 WITH MORTISE LOCKSETS

Please note the horizontal centerline of the electric strike in relation to the centerline of the mortise lockset.



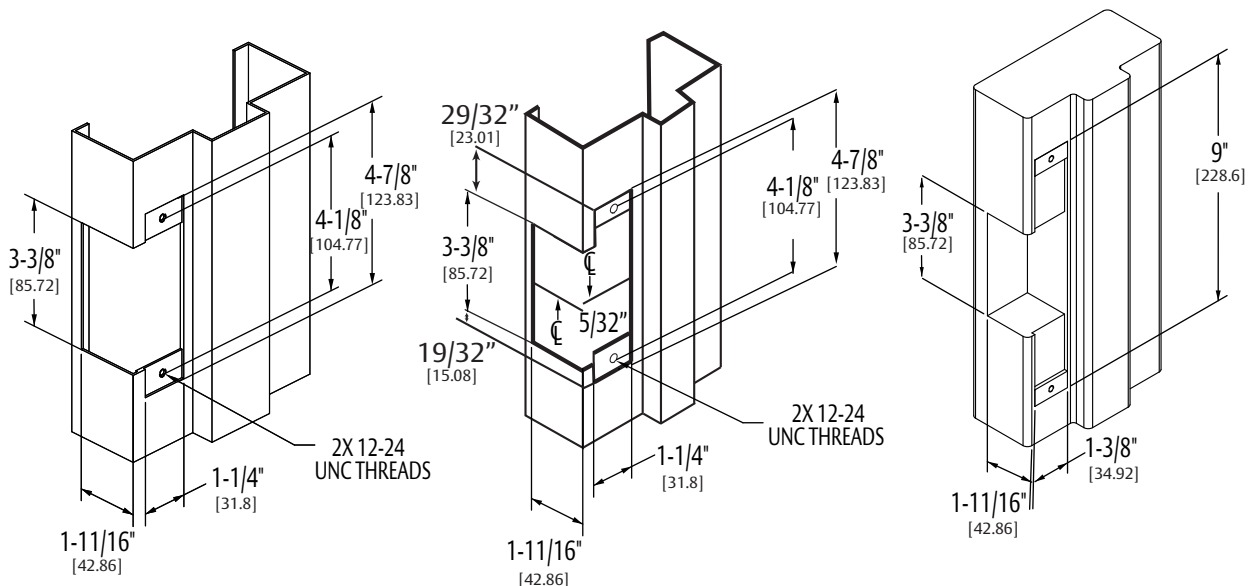
1006 WITH CYLINDRICAL LOCKSETS

Please note the horizontal centerline of the electric strike in relation to the centerline of the cylindrical lockset.



METAL JAMB		WOOD JAMB
"LB Latchbolt" Cutout dimensions for option faceplates: J, K, KM, N, NM, H, Z, R and E	"DB Dead Bolt" "AS Deadbolt Recapture" Cutout dimensions for option faceplates: N, KD, ND, HD, HM, and NM	"-2- Latchbolt or Deadbolt" Cutout dimensions for option faceplates: J2, K2, KM2, N2, and H2
Note: Normally used with mortise locks without deadbolt. Not used with Schlage L9000 or Yale 8700 series.		Note: Normally used with mortise locks without deadbolt recapture. "AS" option only used with mortise locks with deadbolt with continuous recapture. Can use with Schlage L9000 or Yale 8700 series

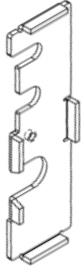
Installation for 1006 Series Complete PACs and Faceplate Options



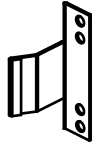
Complete Pac Options (continued)

E

Components



Low Profile Floor



Deadbolt Catcher



6-32 x 1/4" Screws



6-32 Nuts

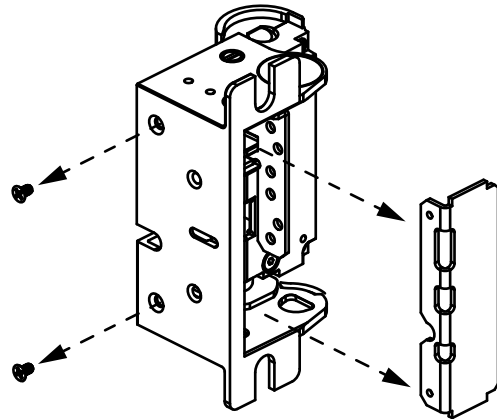


#6 Lock Washers

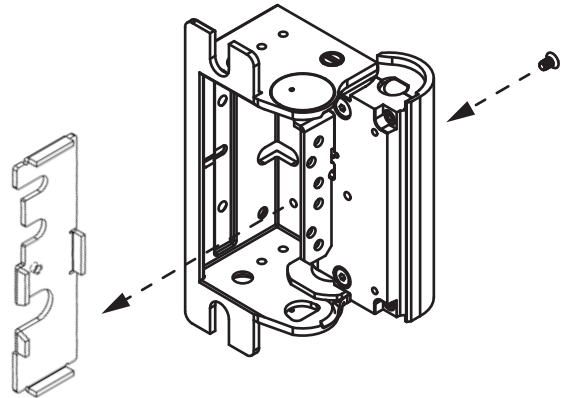


4-40 x 5/16" Screw

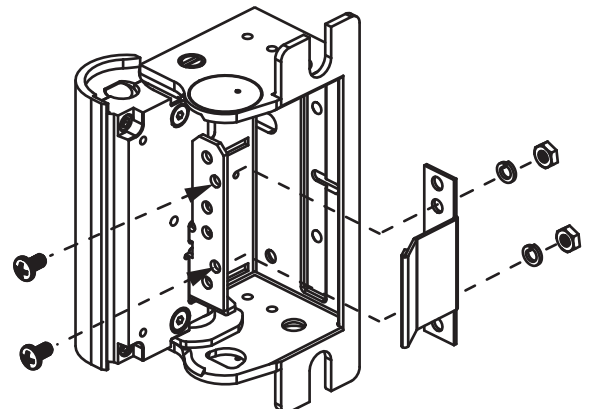
Installation



1. Remove the 4-40 x 3/16" screws and standard floor from the electric strike as illustrated above.



2. Install the Low Profile Floor using the 4-40 x 5/16" screw provided with the Faceplate Option Kit as illustrated above.

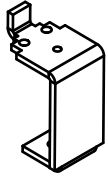


3. Attach the Deadbolt Catcher to the mounting plate using the 6-32 x 1/4" screws, #6 Lock Washers and the 6-32 nuts as illustrated above.

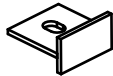
Complete Pac Options (continued)

H, HD, HM, and H2

Components



Deadbolt Bracket



Deadlatch Bracket
(HT and HTD only)



10-32 x 1/8" Screw

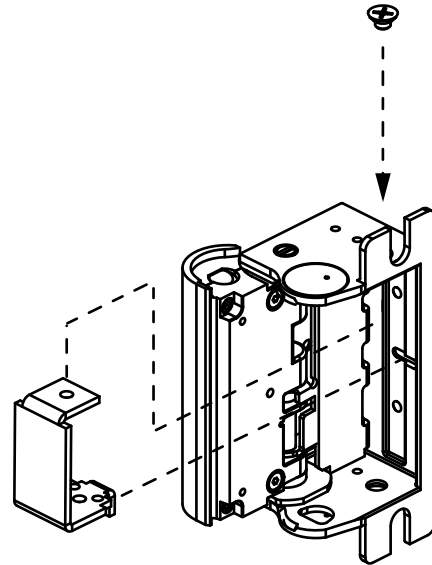


6 Lock Washers (HT and HTD only)

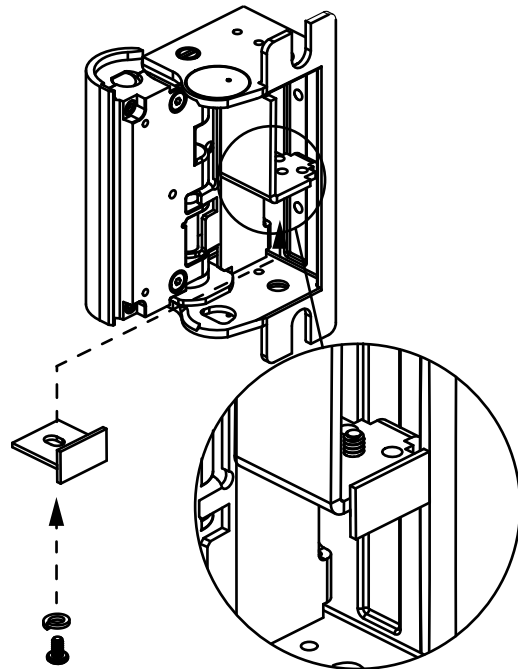


6-32 x 1/4" Screw (HT and HTD only)

Installation



1. Install the Deadbolt Bracket using the 10-32 x 1/8" screw as illustrated above. If using an HT or HTD option, proceed to step 2.

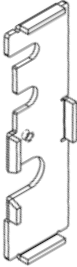


2. Install the Deadlatch Bracket using the 6-32 x 1/4" screw and #6 Lock Washer as illustrated above.

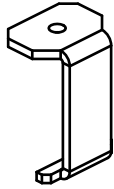
Complete Pac Options (continued)

R

Components



Low Profile Floor



Hookbolt Bracket



Hookbolt Catcher



6 Lock Washers



4-40 x 5/16" Screw

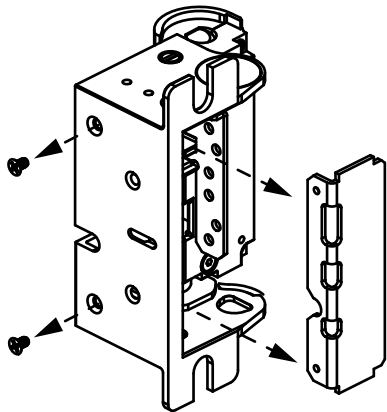


10-32 x 1/8" Screw

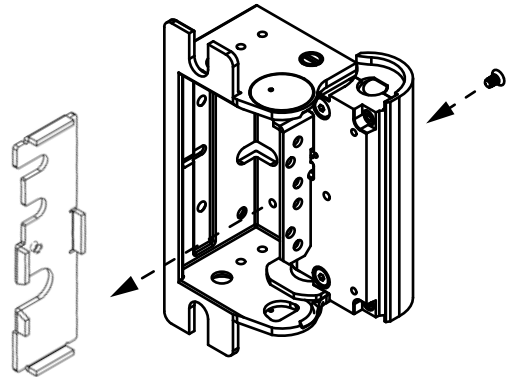


6-32 x 1/4" Screws

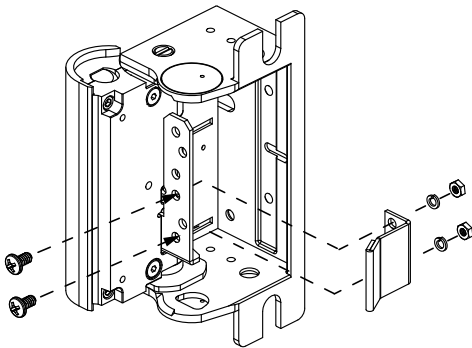
Installation



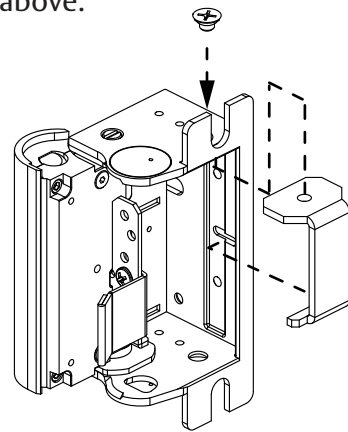
1. Remove the 4-40 x 3/16" screws and standard floor from the electric strike as illustrated above.



2. Install the Low Profile Floor using the 4-40 x 5/16" screw provided with the Faceplate Option Kit as illustrated above.



3. Attach the Hookbolt Catcher to the mounting plate using the 6-32 x 1/4" screws, #6 Lock Washers and the 6-32 nuts as illustrated above.



4. Install the Hookbolt Bracket using the 10-32 x 1/8" screw as illustrated above. If using an HT or HTD option, proceed to step 2.

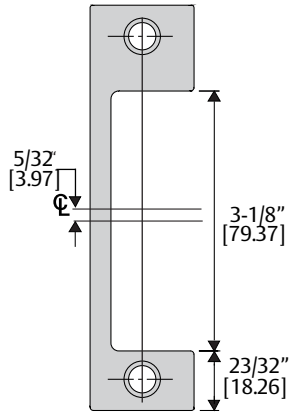
Faceplate Options

(4-7/8" x 1-1/4" SQUARE CORNER)

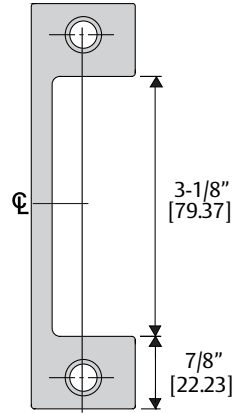
☒ = center line of faceplate
(2nd line = center line of faceplate opening)

Inches [Millimeters]

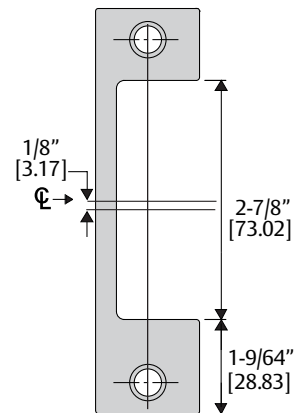
HD, ND



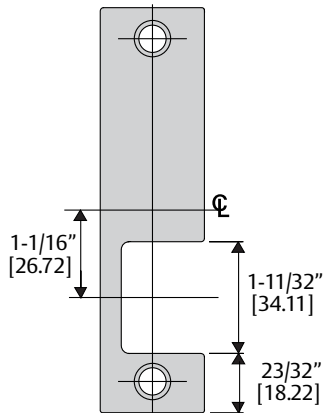
H, N



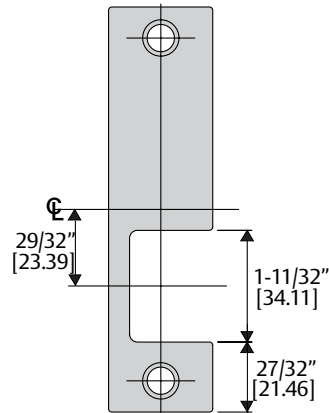
HM, NM



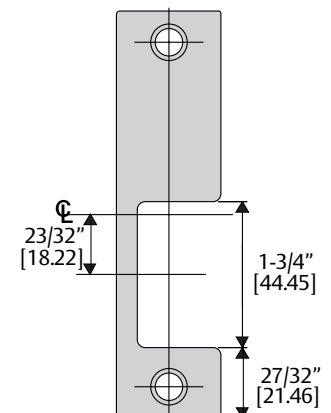
KD



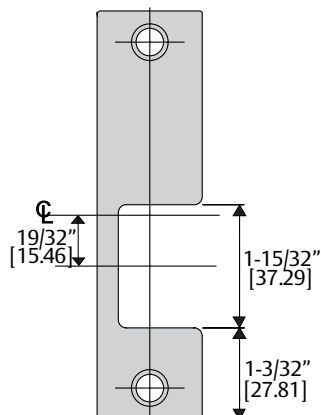
K



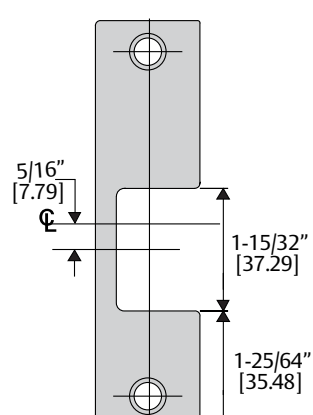
R



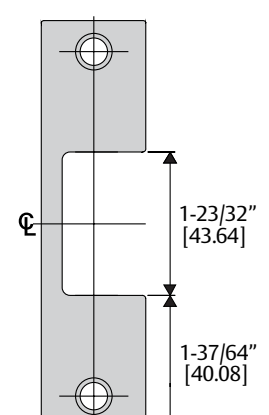
KM



Z



J, E





HES, Inc.
Phoenix, AZ 85044
800-626-7590
www.hesinnovations.com

Copyright © 2017, Hanchett Entry Systems, Inc., an ASSA ABLOY Group company. All rights reserved. Reproduction in whole or in part without the express written permission of Hanchett Entry Systems, Inc. is prohibited.