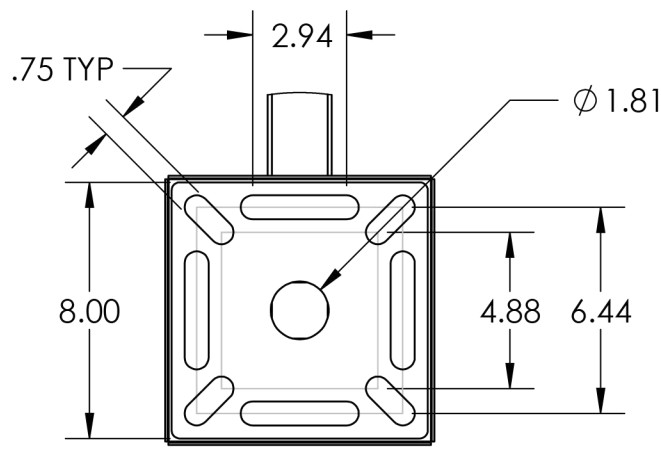
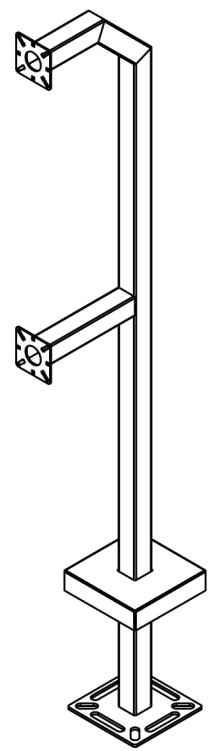
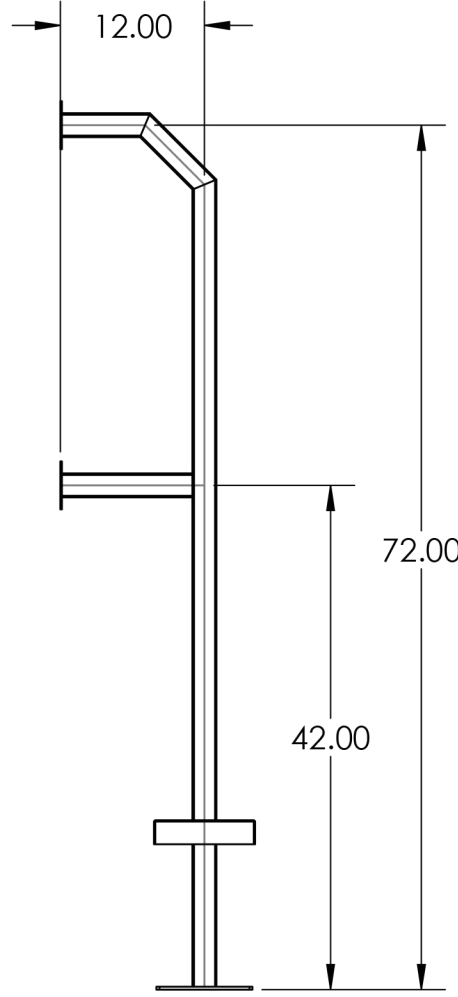


DETAIL A



DETAIL B



- NOTES:
1. 1/2" ϕ MOUNTING HARDWARE IS RECOMMENDED FOR 5X5 BASEPLATE MODELS. L-BOLT-500, STUD-ANCHOR-500.
 2. 5/8" ϕ MOUNTING HARDWARE IS RECOMMENDED FOR 8X8 AND 12X12 BASEPLATE MODELS. L-BOLT-625, STUD-ANCHOR-625"



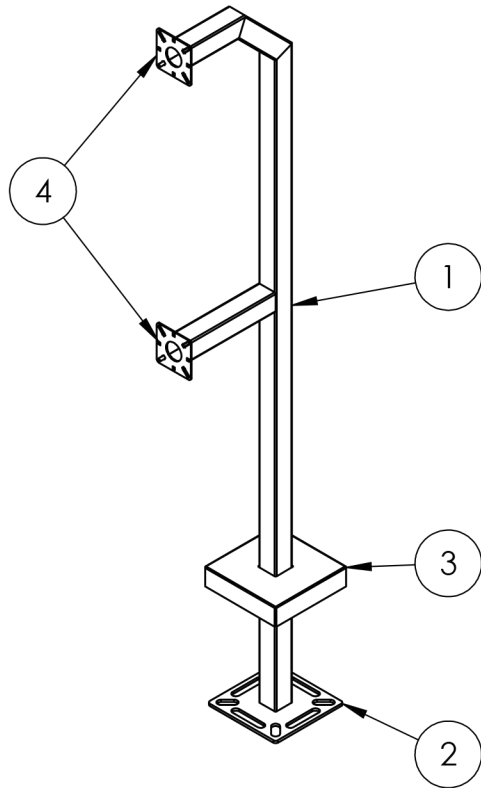
www.intercomsonline.com

UNLESS OTHERWISE SPECIFIED:
 DIMENSIONS ARE IN INCHES
 TOLERANCES:
 FRACTIONAL $\pm 1/32$
 ANGULAR: $\pm 2^\circ$
 TWO PLACE DECIMAL ± 0.010
 THREE PLACE DECIMAL ± 0.005
 INTERPRET GEOMETRIC TOLERANCING PER: ASME Y14.5 -2009

	NAME	DATE
DRAWN		
CHECKED		

TITLE: INSTALLATION	
Wednesday, November 25, 2020 9:46:05 AM WEIGHT: 31.386	Part Number: PD1024
NO SCALE	SHEET 1 OF 3

ITEM NO.	PART NUMBER	DESCRIPTION	QTY.
1	72-9C-DSP-SS & ALUM	2X2 WELDMENT	1
2	PLTBAS-8-2	8" STANDARD BASE PLATE	1
3	PLTCOV-8-2	STANDARD COVER PLATE	1
4	PLTFAC-4-2	STANDARD FACE PLATE	2
5	--	1/4-20 X .5 ZINC PL CARRIAGE BOLT	8
6	--	1/4-20 ZINC PL HEX NUT	8



NOTES:

1. SEE STANDARD PREPARATION AND COATING INSTRUCTIONS FOR COATING PROCEDURE AND COLOR.
2. SEE STANDARD PACKAGING INSTRUCTIONS FOR PACKAGING PROCEDURE.

UNLESS OTHERWISE SPECIFIED:

DIMENSIONS ARE IN INCHES
TOLERANCES:
FRACTIONAL $\pm 1/32$
ANGULAR: $\pm 2^\circ$
TWO PLACE DECIMAL ± 0.010
THREE PLACE DECIMAL ± 0.005

INTERPRET GEOMETRIC
TOLERANCING PER:
ASME Y14.5 -2009

NAME DATE

TITLE:

DRAWN

CHECKED

ASSEMBLY

Wednesday,
November 25, 2020

9:46:05 AM
WEIGHT: 31.386

NO SCALE

SHEET 2 OF 3