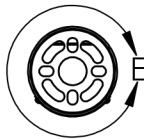
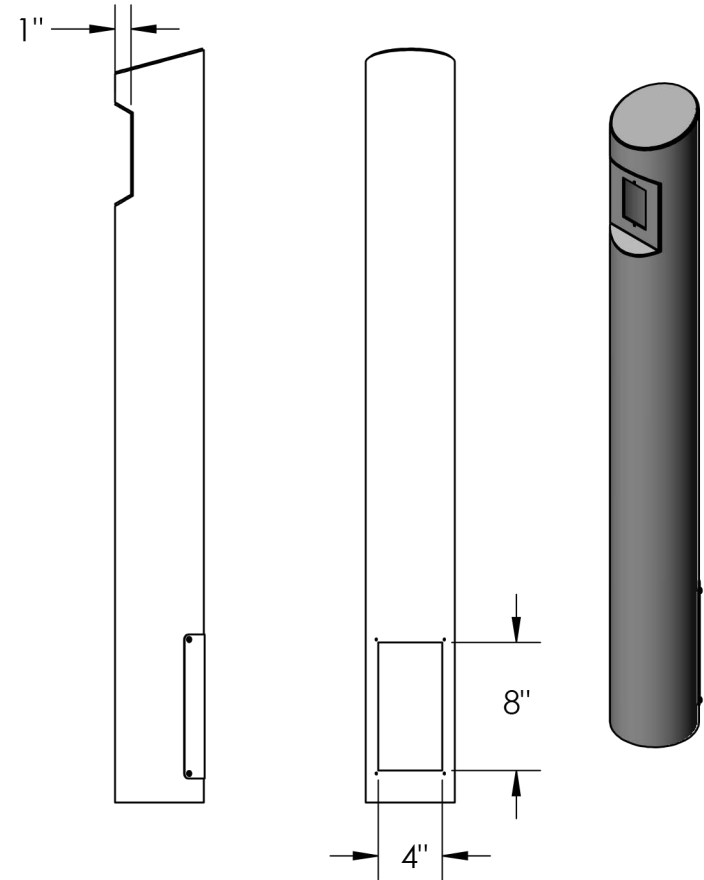


DETAIL E



NOTES:

1. 1/2" ϕ MOUNTING HARDWARE IS RECOMMENDED FOR 5X5 BASEPLATE MODELS. L-BOLT-500, STUD-ANCHOR-500.

2. 5/8" ϕ MOUNTING HARDWARE IS RECOMMENDED FOR 8X8, 12X12, AND BOLLARD STYLE BASEPLATE MODELS. L-BOLT-625, STUD-ANCHOR-625.



www.intercomsonline.com

UNLESS OTHERWISE SPECIFIED:

DIMENSIONS ARE IN INCHES
 TOLERANCES:
 FRACTIONAL $\pm 1/32$
 ANGULAR: $\pm 2^\circ$
 TWO PLACE DECIMAL ± 0.010
 THREE PLACE DECIMAL ± 0.005

INTERPRET GEOMETRIC
 TOLERANCING PER:
 ASME Y14.5 -2009

NAME	DATE
DRAWN	

TITLE:

INSTALLATION

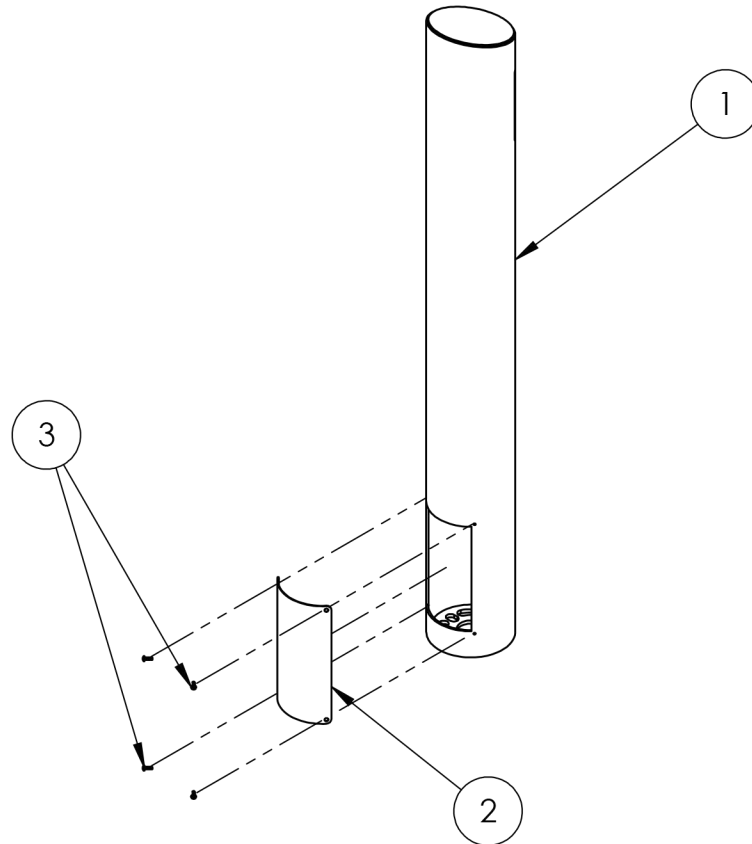
Tuesday, October 23,
 2018 1:52:42 PM

WEIGHT:

NO SCALE

SHEET 1 OF 8

ITEM NO.	PART NUMBER	DESCRIPTION	QTY.
1	ADA-SS-BOL-48x5RxP	BOLLARD WELDMENT	1
2	ACCESS COVER 5 ROUND	CURVED ACCESS PANEL	1
3	---	8-32 X 1/2 SS BUTTON HD SCREW	4



UNLESS OTHERWISE SPECIFIED:

DIMENSIONS ARE IN INCHES
TOLERANCES:
FRACTIONAL $\pm 1/32$
ANGULAR: $\pm 2^\circ$
TWO PLACE DECIMAL ± 0.010
THREE PLACE DECIMAL ± 0.005

INTERPRET GEOMETRIC
TOLERANCING PER:
ASME Y14.5 -2009

NAME DATE

DRAWN

TITLE:

ASSEMBLY

Tuesday, October 23,
2018 1:52:42 PM

WEIGHT: