

Installation & User Manual
For
Styluscom V2



Wired Video Intercom System

Models StylusAB, StylusABK, StylusAS
Manual Version 1



Contents

Overview of systemPg 3
Site surveyPg 3
Monitor overviewPg 4
Surface mounting the monitorPg 5
Plasterboard / drywall fixingPg 5
Door/gate station mountingPg 6
Wiring gate station to monitorPg 7
Keypad module in detailPg 7
Connecting extra monitorsPg 8
Connecting a CCTV cameraPg 9
Monitor settingsPg 9
Answering a call & granting accessPg 11
Viewing gate/doorPg 11
Basic keypad programmingPg 12
Full keypad programmingPg 12
Using the keypadPg 14
Sound and volumesPg 14
TroubleshootingPg 15

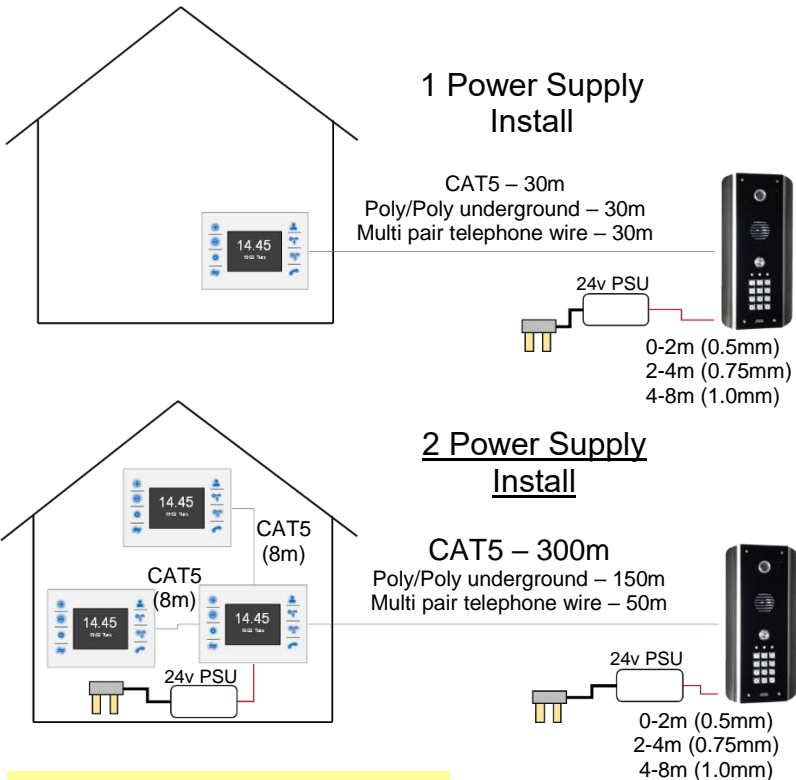
Overview of System

Please read this entire manual before attempting to install this system.

This system should only be installed by a professional automatic gate installer or access control specialist dealer. It is recommended that the system be set up, configured, commissioned and tested on a workshop bench **before** taken to site for installation.

Site Survey

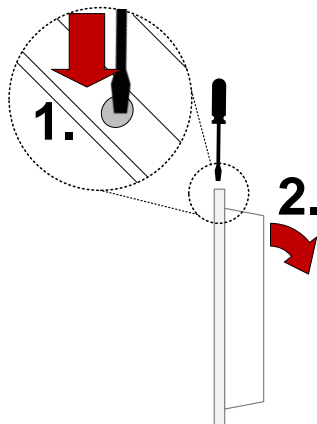
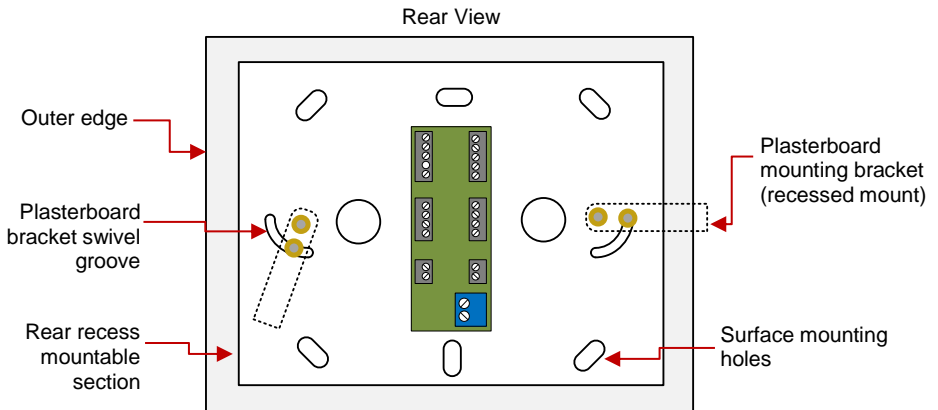
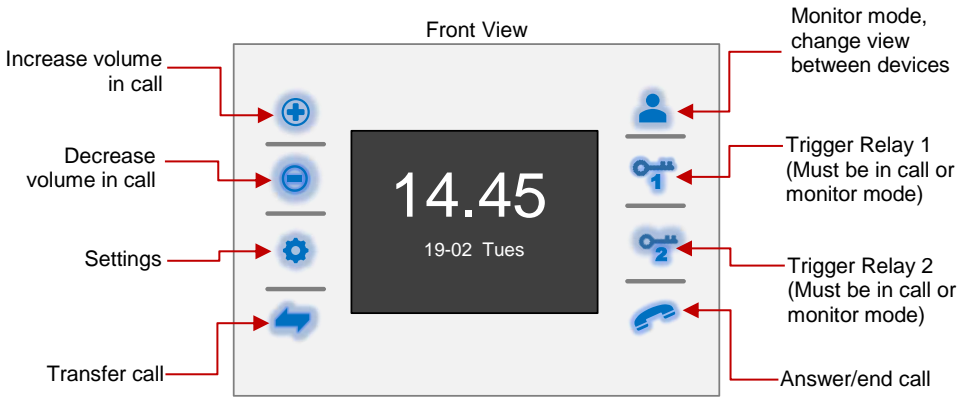
Check cabling conforms to the recommended diagrams below BEFORE installing the system. If necessary, test the devices at either end before fully mounting to walls etc to avoid un-necessary cost.



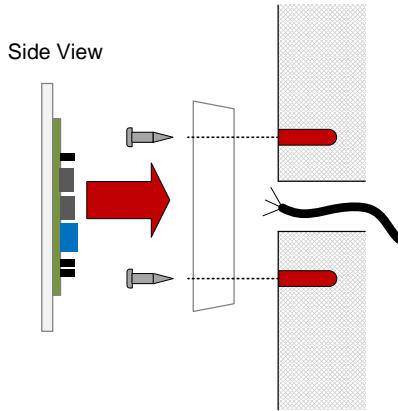
TIP:

Achieve up to 15m between monitors by using 2x1mm cable for power between monitors

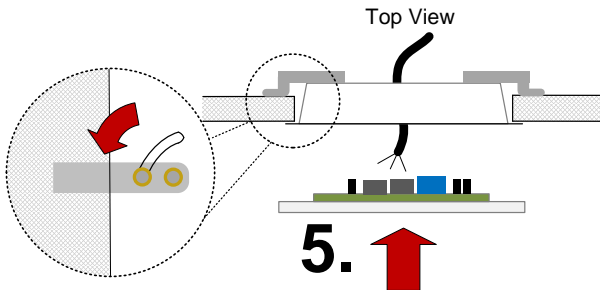
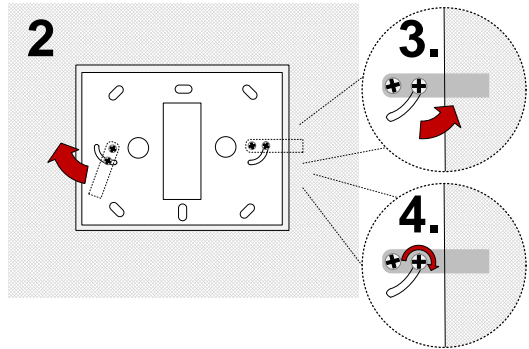
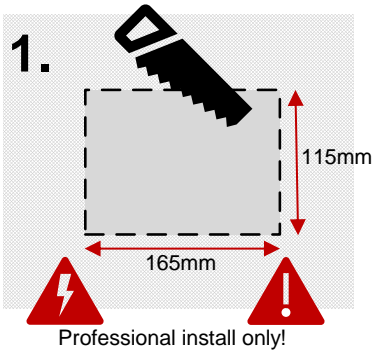
Monitor Overview



Surface Mounting the Monitor

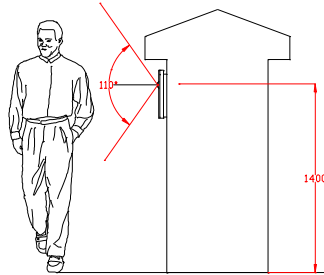


Plasterboard / Dry wall Fixing



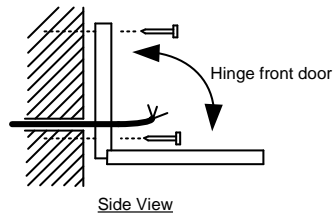
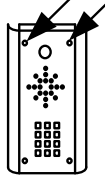
Rotate the clips behind the plasterboard with a screw driver, then tighten in place until they gently grip against the plasterboard. After wiring is complete, the monitor can be clipped into place.

Door / Gate Station Mounting



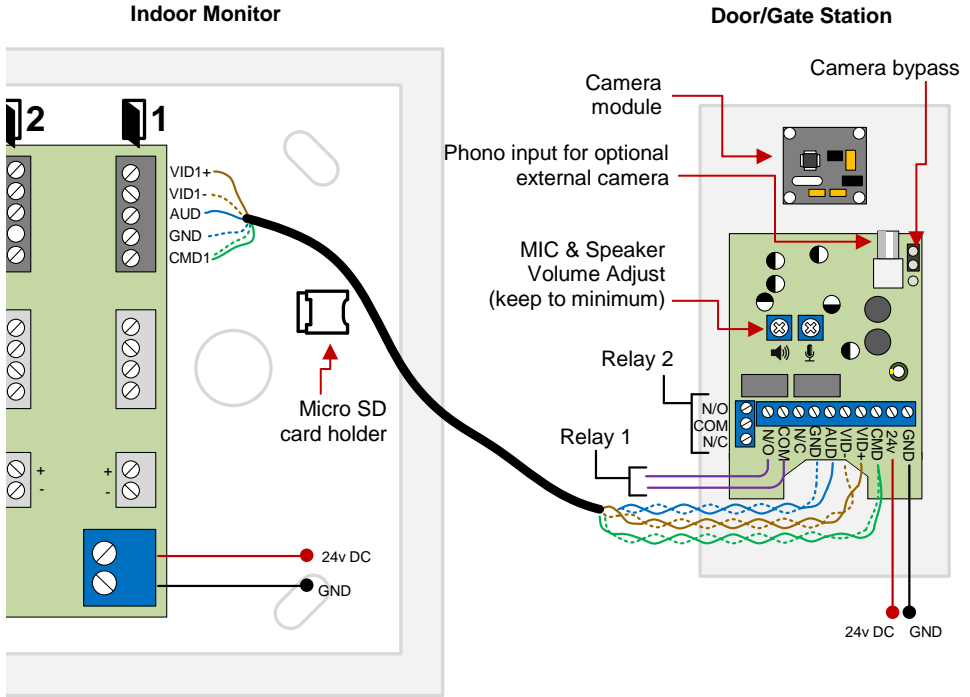
Mount the intercom at the desired height for pedestrian or car users. The camera angle is wide at 110 degrees to cover most scenarios.

Loosen top 2 screws only

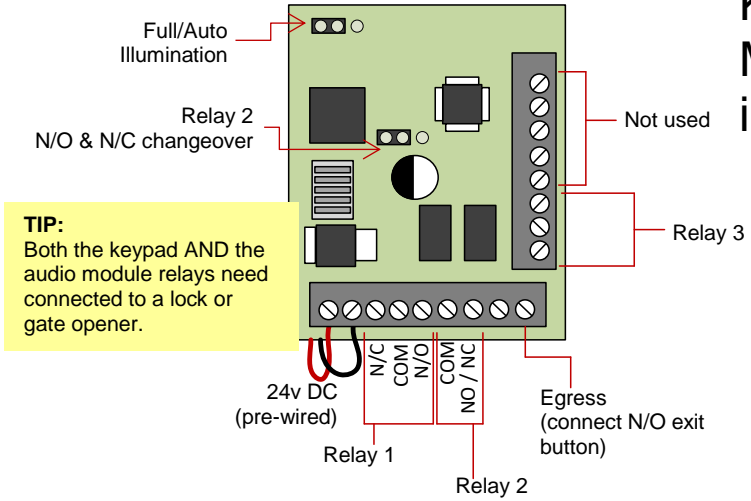


Tip: Do not drill holes in the wall with the intercom in position, otherwise dust may get around the camera window and impair the camera view.

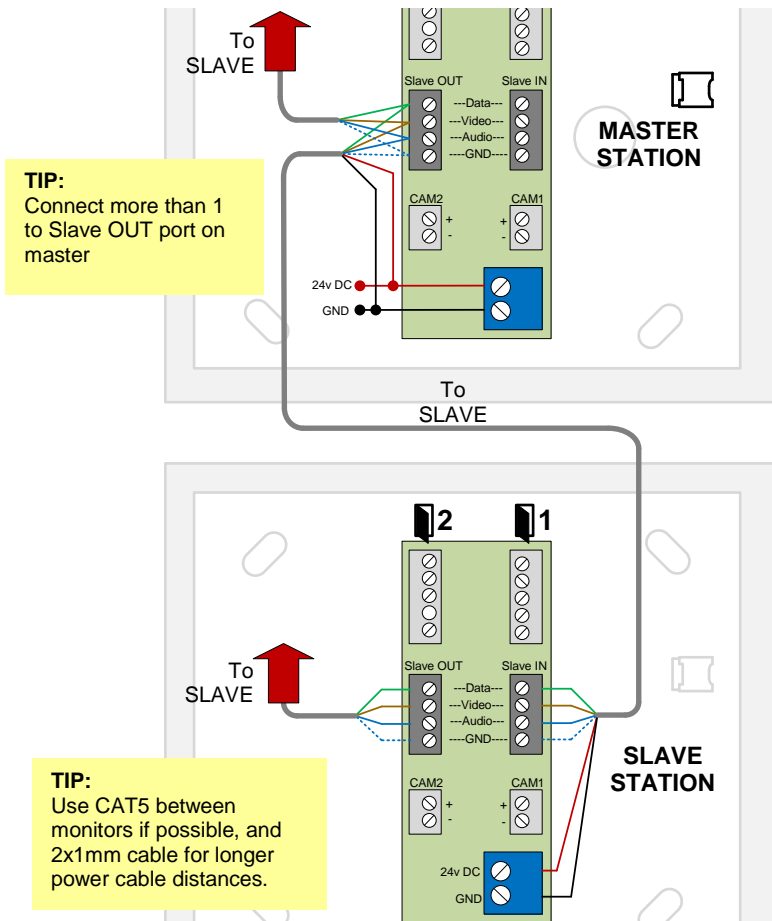
Wiring Gate Station to Monitor



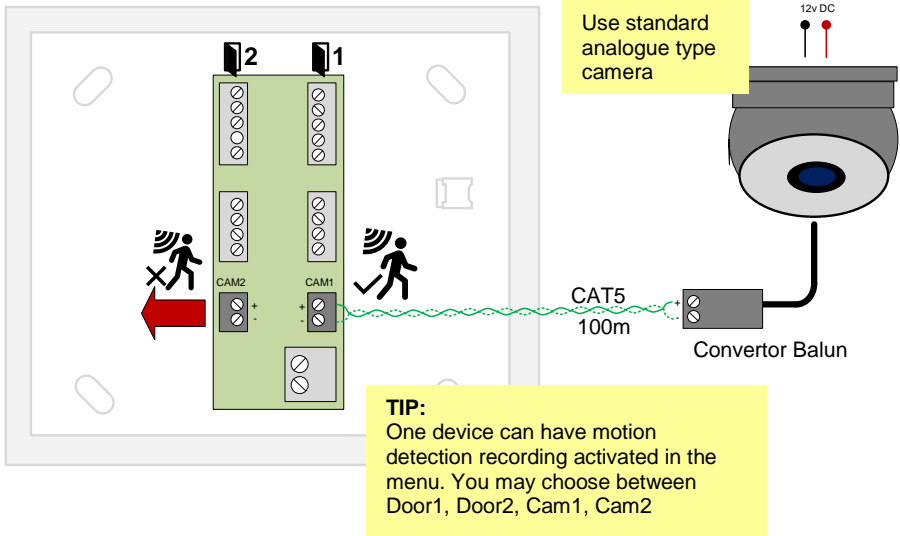
Keypad Module in Detail



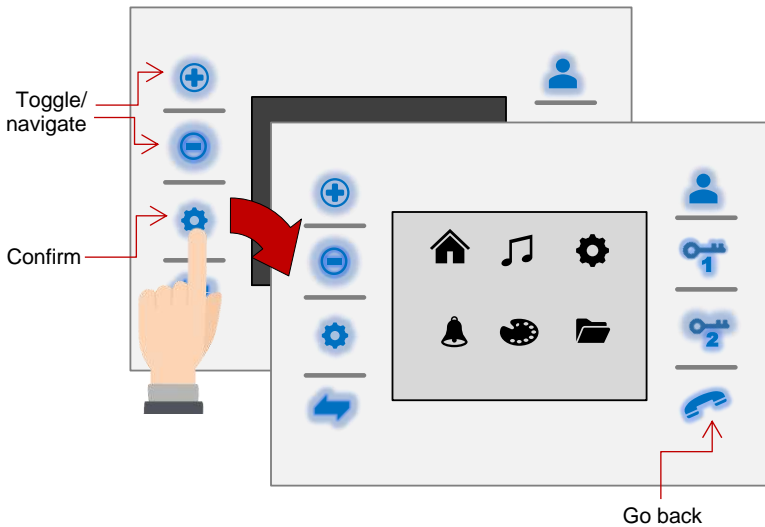
Connecting Extra Monitors

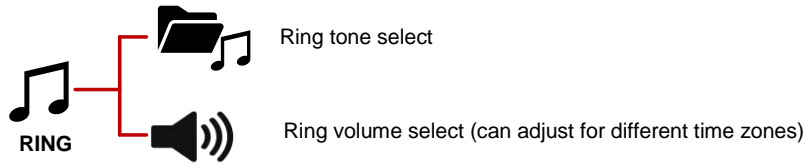
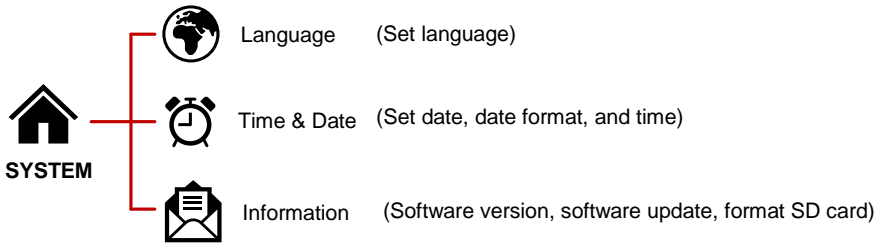


Connecting a CCTV Camera



Monitor Settings





MODE



Mode	Master / Slave (set main monitor to MASTER and all others to SLAVE).
Door 2 Status	ON / OFF (turn OFF if there is only one door unit).
Door 1 unlock time	02-10 secs. For gates and strike lock use 2 seconds. For mag locks use longer time.
Door 2 unlock time	02-10 secs. For gates and strike lock use 2 seconds. For mag locks use longer time.
Record mode	Record / Snapshot (Either record video or save snapshot image on trigger).
Motion Detection	Set to record video or snap shot from either Door1, Door2, Cam1, Cam2.
Message	Turn ON or OFF voice message option for missed callers.
Motion Detection Duration	Set record length on motion detection from 10-60 seconds.

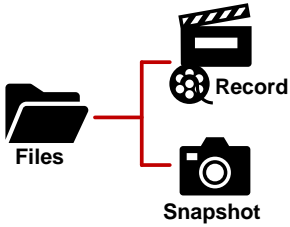


Alarm section not used in this particular model

ALARM



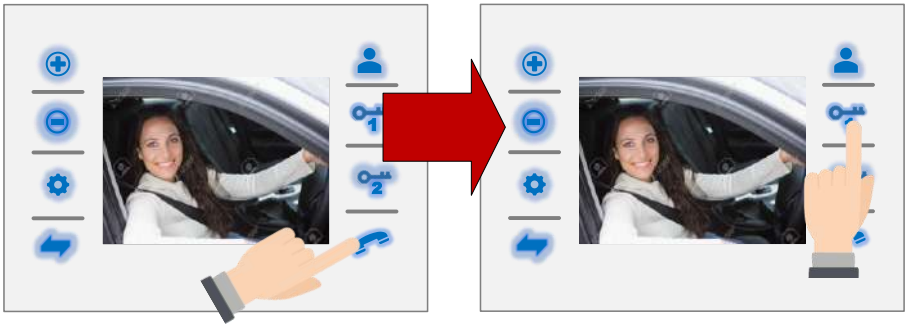
Adjust colour, brightness and contrast for connected devices



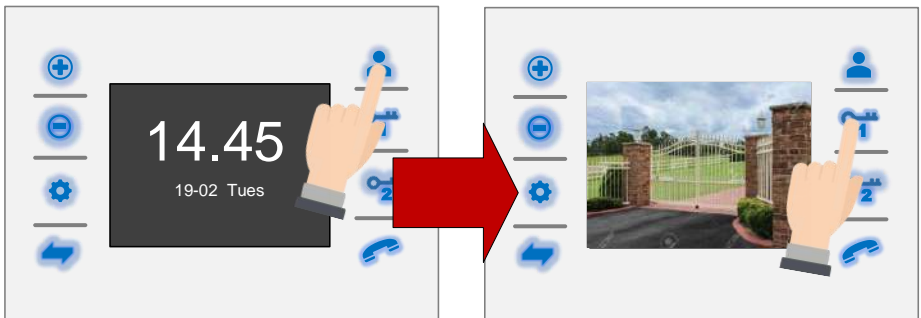
Playback recorded video clips (only available if device set in this mode)

View saved snapshots (only available if device set in this mode)

Answering a Call & Granting Access



Viewing Gate/Door & Granting Exit



Basic Keypad Programming

For most installs, it is sufficient to simply enter a single user code as follows..

Quick start guide

1) Enter programming mode (amber LED should be ON)

2) Enter a new user code...

3) Exit programming mode

4) Enter the new user code to check the relay clicks.

Tip: The engineer code must be the same length as user codes. So if using a 6 digit engineer code, then user codes must also be 6 digits long etc.

Full Keypad Programming

Enter programming mode..

The unit is now in programming mode. Amber LED on the keypad should remain permanently on. 0000 is the default programming passcode.

Exit programming mode..

The unit should exit programming mode and the amber LED should start flashing again.

Enter a new ENGINEERS code...

Go into programming mode firstly then enter the following sequence...

Location
4-8 digit code
Validate

Replace ??? with your new ENGINEERS code.

Enter or delete new user codes

There are 3 groups of user codes. Group 10 for relay 1, group 20 for relay 2, and group 30 for relay 3. The programming sequence is shown below...

10= relay 1 codes (1000 available)

20= relay 2 codes (100 available)

30= relay 3 codes (100 available)

2= add code
5= delete code

Memory locations
000-999 for relay 1
001-100 for relay 2
001-100 for relay 3

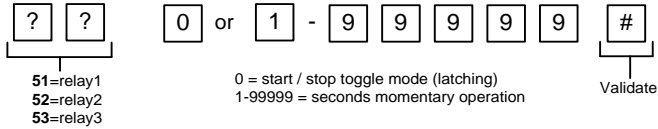
Pin code 4-8 digits

Validate

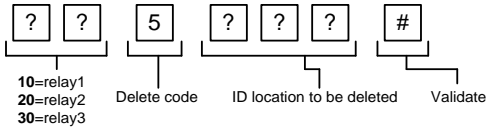
Example: Add user 31 to have access code 5555 operating relay 2....

Group 2
Add code
Location 31
Pin code 5555
Validate

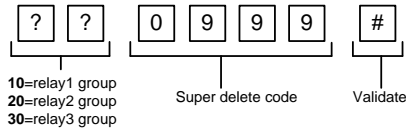
Programming relay output times and modes...



Delete a user code even if you don't know the code...

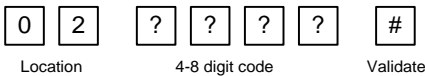


Delete an entire group of codes



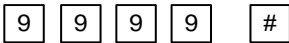
Programming super user codes...

A super user code can activate any of the 3 relays



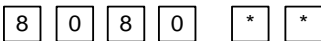
Restoring defaults

When in programming mode, you can enter the following sequence...



When the master code is forgotten....

- 1) Wire a push button (or replicate with wire link) across the Egress terminal and (-)GND.
- 2) Switch off power for 1 minute.
- 3) Switch ON power.
- 4) During the first 60 seconds, press the EG button once to enable the function.
- 5) Enter the following code..



The keypad should now be in programming mode, ready to accept new data.

Using the keypad

Using the standard codes...

Once you have exited out of programming mode, simply enter the user code.

Using super user codes

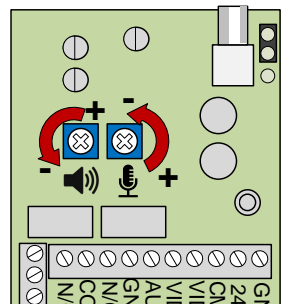
[?]	[?]	[?]	[?]	[#]	[1]	Activate output 1
[?]	[?]	[?]	[?]	[#]	[2]	Activate output 2
[?]	[?]	[?]	[?]	[#]	[3]	Activate output 3

Sound and Volumes

With intercoms operating as a loud speaker and the monitor also acting as a loud speaker, it is important to set up the speech volumes carefully.



TIP:
Keep monitor volume as low as possible to prevent feedback at the door station.



TIP:
Keep MIC sensitivity as low as possible. Only increase speaker levels to absolute minimum required levels to prevent feedback.

Trouble Shooting

TIP: The best way to troubleshoot any problem is by a process of elimination. Try to install one part of a system at a time, check it works, and then add additional monitors and other items one by one.

Q: I cannot hear the visitor at the gate/door.

A: Check that the cable distance and type between the monitor and gate is within spec.

A: Check that the gate/door station and monitor are powered separately for cable distances of more than 10 metres.

A: Check that the gate/door station microphone sensitivity is at minimum, and the speaker in the gate/door station is turned below 1/3rd volume, and that the monitor speaker volume is at 1/3rd and try again.

A: Check cable cores are not mixed up.

A: Try trimming and re-stripping the cable ends in case of a break. Use a multi-meter on Bell mode to check for breaks.

A: If using additional monitors, try it with only one monitor connected first.

A: Test the gate/door station and the monitor on a test bench or workshop, or inside the house on a shorter cable run (note feedback may prevent sound in one or both direction unless devices are in separate rooms).

Q: I can only hear the visitor faintly, but if I increase the volume on the monitor, I can hear interference and noise.

A: The cable type is not ideal, or too long. Try doubling up cores on the audio wires to see if that helps. If not, you may need to consider upgrading the cable.

Q: Only one monitor is working.

A: Check that the first connected monitor is setup as a MASTER monitor, and that subsequent monitors are configured as SLAVE devices in the onscreen menu.

Q: The intercom is calling, and there is audio, but no video.

A: Check that the cable is proper twisted pair cable, and that it is within spec of this manual. If in doubt, remove either the monitor or gate/door station, and bring to the other side, and test on a few metres of CAT5. If it works, then it is likely the cable is a problem. If it does not work, check wiring connections again and contact technical support.

Q: The video has interference on the picture, or it is not showing colour picture during daytime.

A: This is usually caused by improper cable being used.

A: Check that the monitor and the gate/door station have power supplies connected with proper power cable and within the specified distance in this manual. Poor power cable can cause transmission problems.

A: Upgrade the cable to a shielded CAT5 and connect the shield as shown in the wiring diagram.

Q: The keypad accepts a code, but does not open the gates / door.

A: Check the relay is closing with a multi-meter on bell mode. If the relay changes state, then check wiring and ensure the keypad is connected to the gate system or lock as well as the communication part of the gate/door station (connect in parallel for gates or strike lock, series for magnetic door lock). If the relay does not change state when a code is entered, then the problem is most commonly cause by the keypad not getting enough current draw on the power cable being used. Check the power cable is within spec of this manual.